

## Q Series

### General Specifications

**Lock Chassis** – Cold rolled steel, with zinc dichromated finish for rust resistance. Latch retractor is precision cast steel. Extra long bearing sleeve offers added support for interlocking tubes and provides for extra lever rigidity. Requires standard 2-1/8" (53.97mm) bore through door.

**Thru-Bolts** – Patented flexible adapter, an eight sided nickel steel alloy mechanism allows for universal thru-bolt location according to door preparation. The flexible mounting is accomplished without manually removing screw posts from rose insert. The flexible adapter also engages directly with springs, which will virtually eliminate lever sag.

**OverDrive™** – Freewheeling lever action occurs when latch retraction mechanism disengages from lever handle when handle is locked. Built-in stops in the rose insert prevent lever from traveling beyond approximately 57 degrees. Additional 40% spring power in rose insert on OverDrive™ side of door ensures that lever handle returns to horizontal position. (Optional)

**Backset** – 2-3/4" (69.85mm) standard. 3-3/4" (95.25mm) and 5" (127mm) available.

**Latch** – Brass with 1/2" (12.7mm) throw standard. 3/4" (19.05mm) throw deadlocking firelatch is available for pairs of doors. Latch housing is steel, zinc dichromate finish for corrosion resistance. 1" (25.4mm) bore in edge of door is required.

**Latch Front** – Brass, bronze or stainless steel. 2-1/4" (57.15mm) x 1-1/8" (28.57mm) beveled, 1/8" (3.175mm) in 2" (50.8mm).

**Exposed Trim** – Levers are pressure cast zinc. Streamline rose scallop of brass or bronze complements other series of lever locks.

**Rose Inserts** – Contain coil spring which is a permanent assembly within rose insert. The inside insert has graduating steps in two locations to prevent rose scallop from loosening. A "catch" on the outside insert prevents rose scallop from working itself loose during installation.

**Strikes** – Brass, bronze or stainless steel. ANSI A115.2, 4-7/8" (123.82mm) x 1-1/4" (31.75mm) curved lip strike standard. Optional 2-3/4" (69.85mm) x 1-1/8" (28.57mm) strike available. All strikes have 1-1/4" (31.75mm) lip to center dimension.

**Door Thickness** – 1-3/4" (44.45mm) to 2" (50.80mm) standard.

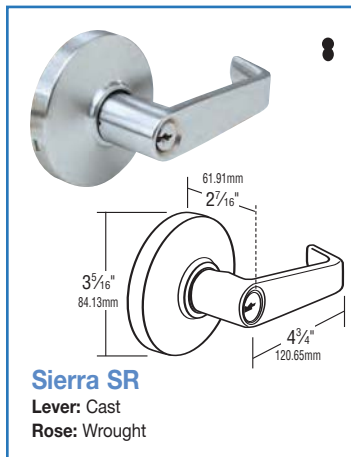
**Handing** – Non-handed. Levers operate bi-directionally.

**Cylinder** – 6-pin solid brass. Arrow A keyway ICD

**Cylinder Options** – Lockset prepared to use with 6 or 7 pin interchangeable core. Supplied less core, but packed with tailpiece. Will also accept cores manufactured by Best™, Falcon™, Medeco Keymark™, ASSA™, and others. Suffix "IC" to indicate small format interchangeable core, or "LIC" (SR design only) to indicate Medeco or ASSA High Security large format interchangeable core. Temporary Arrow small format construction cores are also available.

**LFIC** – Available to accept Large format Interchangeable Core.

**Packaging** – 1 per box, 10 per case.



### Q Series Lever Designs

Matching trim available to complement other series of cylindrical locks, BM Series mortise locks, exit devices and alarms.

### Finish

US3, US4, US10, US10B, US26, US26D. Consult factory for the availability of other non-listed finishes.

### Certification & Compliance

- ANSI/BHMA A156.2, Series 4000, Grade 1
- Underwriters Laboratories (UL and CUL) listed for use on 3 hour, A label single swinging doors
- Federal Specification FF-H-106C
- ANSI A117.1 Accessibility Code
- California State Reference Code—for levers returning to within 1/2" (12.7mm) of door surface



OverDrive™ will allow a locked lever to rotate freely without retracting the latch, improving the life and performance of Arrow locksets. (Optional)