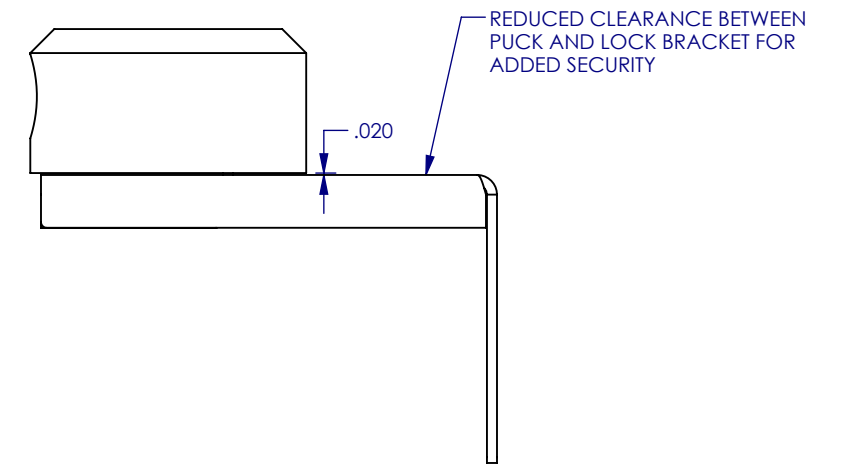
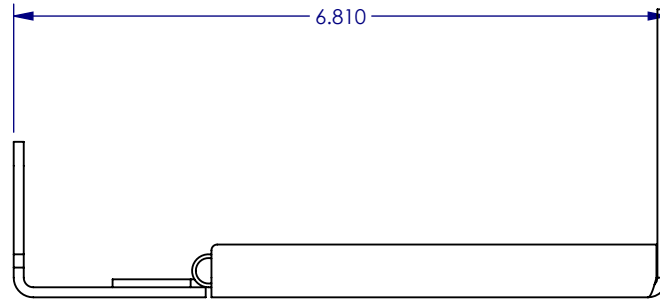
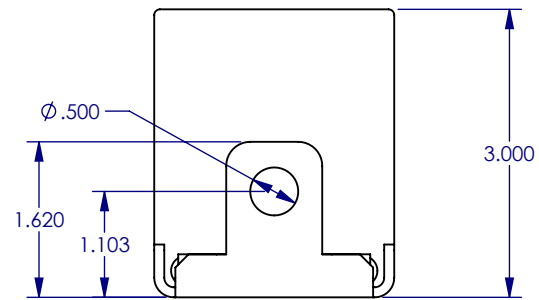
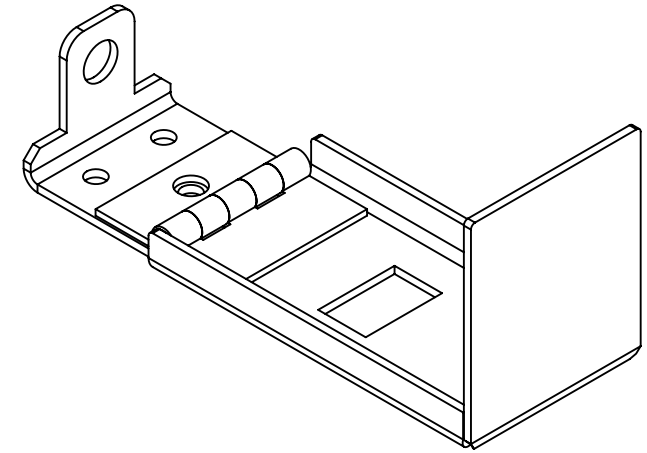
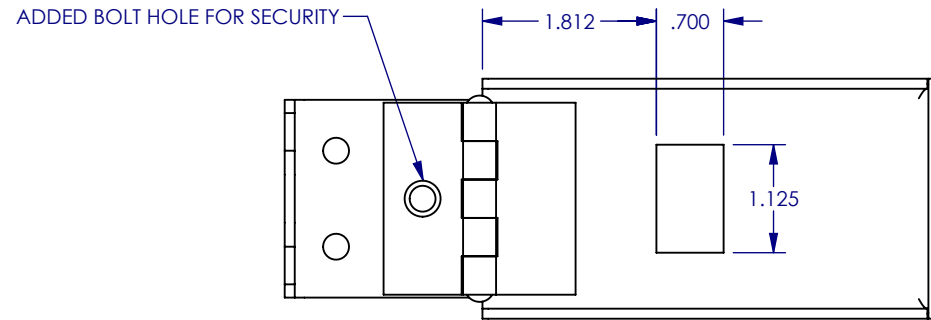


NOTES:

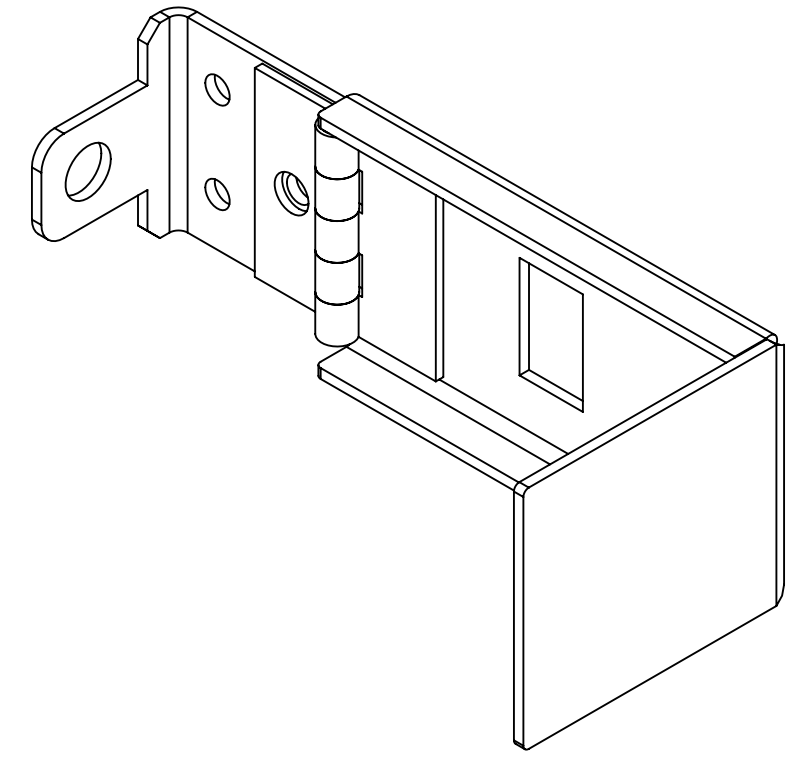
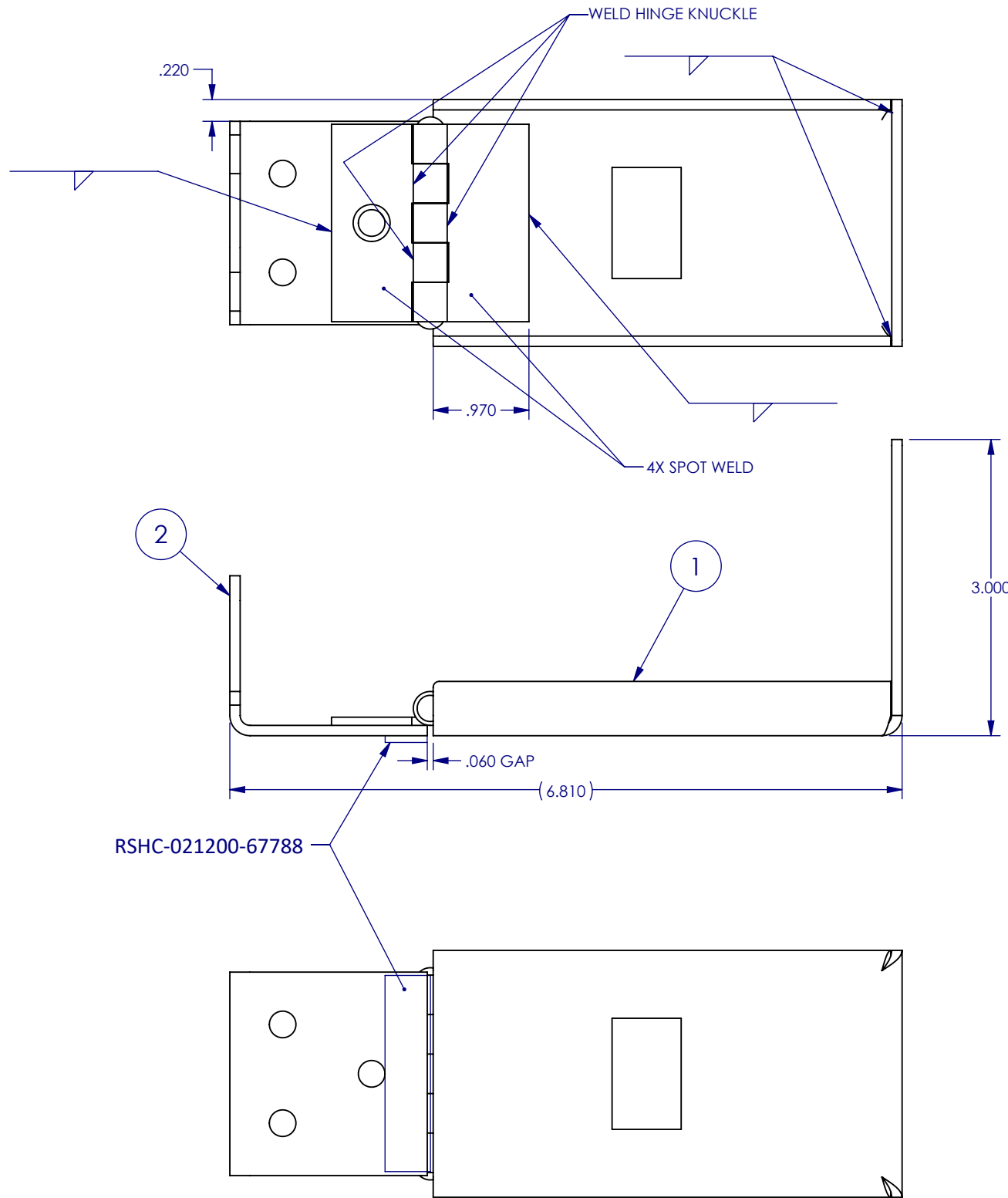
1. PROUDLY MADE IN AMERICA AT OUR ISO 9001 REGISTERED FACILITY.
2. LOCKING HINGE CONSTRUCTED FROM 12 GA HRS.
3. LOCKING HINGE HAS A POWDERCOAT FINISH.
4. LOCKING HINGE DESIGNED TO WORK WITH PUCK STYLE COBRA LOCK.



UNLESS OTHERWISE SPECIFIED ALL DIMENSIONS ARE IN INCHES TOLERANCES .X = ± .030 .XX = ± .020 .XXX = ± .015 ANGLES = ± .5	APPROVALS DSGN: KMS 8/13/2021 DRWN: KMS 8/13/2021 APRV: JAG 8/13/2021	Locking Systems International, Inc 6025 Cinderlane Pkwy Orlando, Florida 32810 LOCATION: T:\Locking Systems - LOCS\CL507744\	
	FINISH POWDERCOAT	FILE NAME: CL507744-ASSY ASSM/PART: CL507744-ASSY CONFIG: Default DESCRIPTION: LOCKING HINGE, PUCK	WEIGHT: 0.8 LBS SURF. AREA: 112.9
THIRD ANGLE PROJECTION	MATERIAL 12GA" HRS	PROPRIETARY AND CONFIDENTIAL <small>The information contained in this drawing is the sole property of Southern Manufacturing. Any reproduction in part or as a whole without the written permission of Southern Manufacturing is prohibited.</small>	

ITEM NO.	PART NUMBER	DESCRIPTION	Default/QTY.
1	CL507744-1	LOCK BRACKET, PUCK	1
2	CL507744-2	LOCK HASP, PUCK	1
3	BTS08202018-EP	HINGE, 2" STEEL, MODIFIED	1

REVISION HISTORY			
REV.	DESCRIPTION	DATE	APPROVED
	SEE M1 FOR PREVIOUS REVISION HISTORY		
01	REVISED PICTORIALY TO REFLECT LATEST CONFIGURATION	9/6/2018	KMS
02	REVISED PICTORIALY TO REFLECT LATEST CONFIGURATION: ADDED ADDITIONAL MOUNTING HOLE TO HINGE AND HASP FOR ADDED SECURITY AND BROUGHT PUCK CLOSER TO LOCK BRACKET WHEN IN LOCKED POSITION	2/27/2019	JAG
03	INCREASED FLANGE LENGTH TO ALLOW FOR MORE CLEARANCE UNDER PUCK	3/1/2019	JAG
04	INCREASED HOLE SIZE IN HINGE TO ALLOW MORE CLEARANCE FOR ANY MOVEMENT OF HOLE DURING PUNCHING	4/2/2019	JAG
05	UPDATED FLANGE LENGTH ON ITEM #1	8/13/2021	JAG



UNLESS OTHERWISE SPECIFIED ALL DIMENSIONS ARE IN INCHES TOLERANCES .X = ± .030 .XX = ± .020 .XXX = ± .015 ANGLES = ± .5	APPROVALS DSGN: KMS 8/13/2021 DRWN: KMS 8/13/2021 APRV: JAG 8/13/2021	Locking Systems International, Inc 6025 Cinderlane Pkwy. Orlando, FL 32810
	POWDERCOAT	
THIRD ANGLE PROJECTION	MATERIAL 12GA" HRS	WEIGHT: 0.8 LBS SURF. AREA: 112.9 SCALE: 1:1.4 SIZE: B SHEET: 2 OF 2 REV: 05